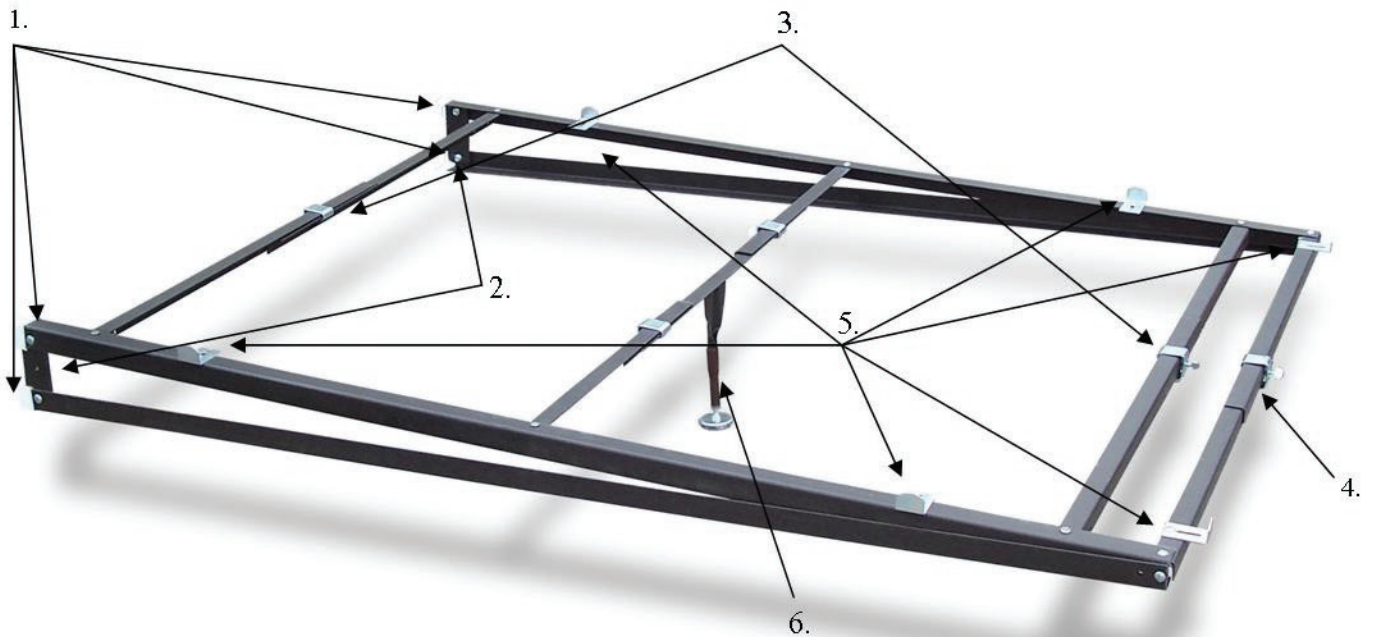


BEDS UP INSERT ASSEMBLY INSTRUCTIONS

- 1. ATTACH WHITE CAPS TO HEAD END OF TOP AND BOTTOM OF INSERT.**
- 2. ATTACH ELEVATION BAR (2,4 OR 6 INCHES...2 OR 4 IS RECOMMENDED TO START) AT HEAD END OF INSERT USING 1/4 INCH NUT AND BOLTS.**
- 3. SET INSERT INTO BED OR BED FRAME AND SWING OUT CROSS BARS... ATTACH WITH C CLAMPS...CLAMP TIGHT TO WIDTH OF BOX SPRING.**
- 4. C CLAMP TWO LONGER BARS AND ATTACH TO FOOT END OF INSERT WITH TWO 1/4 INCH NUTS AND BOLTS.**
- 5. ATTACH BOX SPRING RETAINER BRACKETS USING 1/4 INCH NUTS AND BOLTS...ALLOW FOOT END BRACKETS TO EXTEND BEYOND FRAME.**
- 6. ASSEMBLE CENTER SUPPORT AND ATTACH TO INSERT WITH 1/4 INCH NUTS AND BOLTS...ADJUST LEG TO FLOOR.**



THANK YOU FOR PURCHASING THE BEDS UP INSERT.

PATENT # 6006382 AND # 630173281